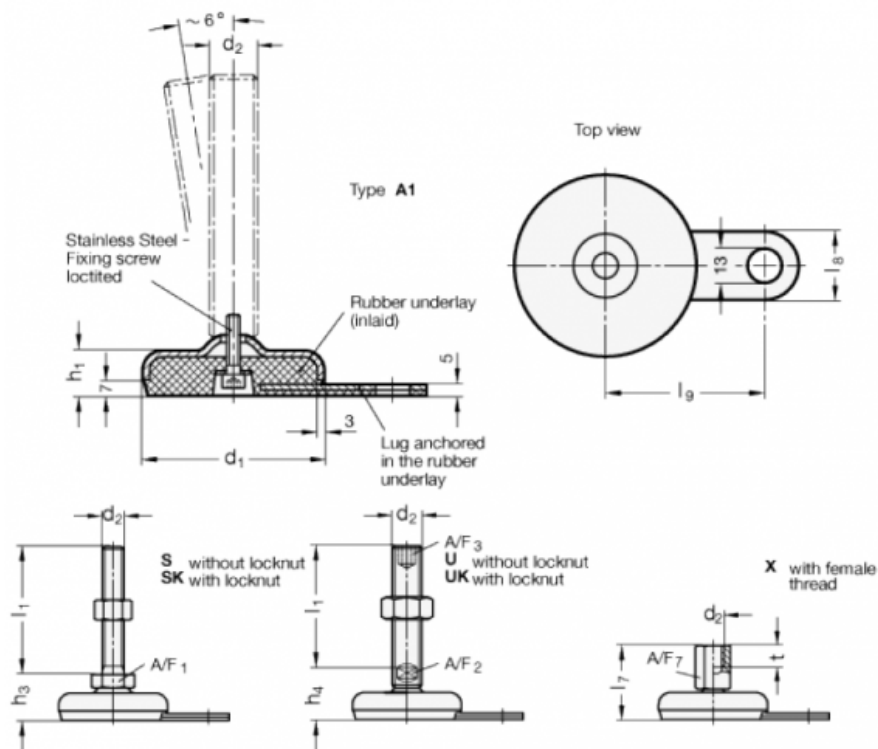


Article number: 2032100M16125A1U

Description: E+G levelling foot  
GN 32-100-M16-125-A1-U

Note: U Without nut, Hexagon socket at the top, Wrench flat at the bottom

## Measures



A/F2 = 12

l9 = 80

A/F3 = 8

d1 = 100

d2 = M16

h1 = 21

h4 = 35

l1 = 125

l8 = 30